

September 8, 2024
Sixteenth Sunday after Pentecost

Watchword for the Week – I will praise the Lord as long as I live; I will sing praises to my God all my life long. Psalm 146:2

Welcome to our service of worship for this sixteenth Sunday after Pentecost - the season of the Holy Spirit. The Spirit was sent by the Risen Lord, Jesus Christ, to supply the church with everything needed to serve Him faithfully until the day of His return. As we worship today, let us pray for a fresh outpouring of the Spirit upon ourselves, our church, our community, nation and world. May more and more people everywhere hear and respond to the Good News - that Jesus is the Way; the Truth; the Life; the only source of salvation.

If you are visiting with us today we are especially glad you are here. Please take a moment to add your name, address and phone number to the blue Friendship Register as it is passed down the pew. We consider you an honored guest and hope that you will return and worship with us in the weeks to come. If you are looking for a church home, we would love to talk with you about joining the Friedberg church family.

Prelude *God Will Take Care of You* Martin

Welcome and Announcements

Hymn *Blessed Assurance* (Blue) #714

Children's Sermon
(Children ages 4-2nd grade may leave for Children's Church)

Joys and Concerns

Pastoral Prayer

Giving of Our Tithes and Offering

Prayer
Offertory *Just a Closer Walk/In the Garden* Martin
Doxology *Praise God, from Whom All Blessings Flow* (Blue) # 817

Holy Scripture

Isaiah 55:8-11
1 Corinthians 2:1-5
Acts 1:8

Hymn *Ye Servants of God* (Blue) #565

Sermon "Weight Warriors and the Herculizer Machine"

Hymn *Stand Up, Stand Up for Jesus* (Blue) #752

Benediction

Postlude *Guide Me, O Thou Great Jehovah* Williams

On Thursday, September 12 Senior Friends Fellowship will travel to Boone for lunch at Daniel Boone Inn. Then our annual visit to Mast General Store or to nearby antique malls and thrift stores. Buses will leave the lower parking lot at 10:00am. At this time there are a few empty seats. If you want to go, please call or email for more information or to reserve your seat. Carol 336-764-1353 bcknouse@yahoo.com

Back to Church Sunday and Homecoming Sunday is September 15. Invite your family, friends and neighbors to join us on this special day of worship. A special invitation to join us will be given to our Pre-School and After School children and their families. After our worship service we will gather in the Family Life Center to share a Homecoming Lunch. Bring your favorite dishes with enough to share with our guests. Members of the Women's Fellowship will be in the Family Life Center before Sunday School and Worship to take your dishes and will have the tables prepared for our church family to share this meal together.

We are seeking willing servers for the Dining Room on Saturday November 2nd at The Fall Chicken Pie Supper. This is such an important service opportunity for our church and outreach for our community. Our 1st Shift is 3:30 PM - 5:15 PM and 2nd Shift is 5:00 PM - 6:45 PM. Please consider volunteering your time. For questions/sign up please contact Angie Fishel at Angiefishel61@gmail.com, 336-414-4821 or Michelle Tucker at TuckedIn88@yahoo.com, 336-408-0477. We look forward to hearing from you soon.

All parents who have a child in Children's Church will be required to physically come down to the Children's Center on the first floor of the Family Life Center and sign their child out before they are released at the end of worship.

Sunday, September 8

9:15 a.m. Band Prelude
9:25 a.m. Prayer Partners-Parlor
9:45 a.m. Sunday School
11:00 a.m. Worship/Livestream in the Sanctuary
4:30 p.m. C.R.O.S.S. Kids
4:30 p.m. Youth/Parent Covered Dish

Monday, September 9

6:30 p.m. Girl Scouts
7:00 p.m. Boy Scouts
7:00 p.m. C.E. Board Meeting

Tuesday, September 10

10:00 a.m. Circle 1-Discovery Class
10:00 a.m. Circle 5-Parlor
6:00 p.m. Circle 2-Fellowship Hall
6:00 p.m. Circle 3
6:30 p.m. Circle 4

Wednesday, September 11

6:15 p.m. Hand Bell Rehearsal
7:30 p.m. Choir Rehearsal

Thursday, September 12

9:00 a.m. Men's Bible Study
10:00 a.m. Senior Friends Bus Trip

Sunday, September 15 (Back to Church Sunday/Homecoming)

9:15 a.m. Band Prelude
9:25 a.m. Prayer Partners-Parlor
9:45 a.m. Sunday School
11:00 a.m. Worship/Livestream in the Sanctuary
12:15 p.m. Homecoming Lunch in Family Life Center
4:30 p.m. C.R.O.S.S. Kids

FRIEDBERG MORAVIAN CHURCH PRAYER CONCERNS

September 8, 2024

MEMBERS

Phil Carter	Yvonne Lemons	Wanda Russell
Brenda Dennis	Carolyn Mason	Nick Saunders
Phillip Denny	Rebecca Mickey	Betty Sink
Emily Essick	Ted Miller	Larry Snyder
Jerry Evans	Gary Murphy	Lou Snyder
Don Faust	Reba Payne	Jerry & Gail Tolley
Caroline Hanes-Fordham	Kolton Pennell	Michelle Tucker
Mark Kimel	Mary Lou Pitts	Joan Tutterow
Pat Lambeth-Watson	Martha Plyler	

Family and Friends Prayer Concerns Submitted Since Last Sunday:

MEMBERS AND RELATIVES IN MILITARY

Dylan Coleman	Alex Kennedy	Jon Eric Spaar, Jr.
Ben Greeson	Patrick Mickey	Ryan Spach
Jennifer Greenwood	Daniel Randleman	Brandon Thompson
Dakota Holtzclaw	Colton Scott	Aidan Wheeler

MISSIONARIES AND MINISTRIES RECEIVING FINANCIAL SUPPORT FROM FRIEDBERG

ARMF (Armando Rusindo Mission Foundation)
Safie Braima - Sierra Leone
Charlie & Vicki Brent – CRU (Campus Crusade), Texas A & M University
Michael and Brenda Brent – CRU (Campus Crusade), Croatia
Anna Stewart Faircloth – Young Life
Keith Graham - Cookies for Christ
Dusty and Christin Harrison – Intervarsity, Clemson University
Hoof and Paw Therapeutic Riding and Activity Center
Phil III & Eunice Raiford, Commission to Every Nation (CTEN) - Mexico
Michael and Ceci Tesh, Ray of Hope Orphanage – Kenya
Friends of Moravian Prison Ministry
Joey Yokely – Fellowship of Christian Athletes

Current prayer concerns:

The Story Only I Can Tell

B.C. (Before Christ): A description of my life before I began my relationship with Christ.

T.P. (The Turning Point): How and why I began my relationship with Christ.

A.C. (After Christ Entered My Life): The difference Christ is making (NOT has made) in my life.

"...tell people the full message of this new life." Acts 5:20

If It Weren't For Jesus....

The difference Jesus makes in:

Your lonely times

Your stressful times

Your tragic times

You as a husband/wife

You as a parent

You as a single person

Your depressing times

Your failures

Dealing with your pain

The death of someone close

Medical bad news





Do you want to...

- 1] ...better understand God's plan for His children?
- 2] ...see how the whole Bible fits together?
- 3] ...grow in your relationship with God?

If you answered "yes" to any of those questions, then *The Bethel Bible Series* is for you.

What Is The Bethel Bible Series?

The *Bethel Bible Series* is a program that equips students to apply the Scriptures to their lives. In fact, our textbook is the Bible. The *Bethel Bible Series* presents a biblical overview in a language that is easy to understand.

Frequently Asked Questions:

- 1. **How long are the classes?** - 75 minutes in length
- 2. **How many classes are there?** – Three seven week sessions
- 3. **How much of a commitment do I sign up for?**
-Each student makes a 7 week commitment. Each new session will have a new sign up period
- 4. **Is there a cost?** – The cost for the Workbook is \$60
- 5. **What day will it meet?**
-New Testament: Thursday Evenings - 7:00pm to 8:15pm
-Old Testament: Thursday Afternoons – 1:30pm to 2:45pm
- 6. **When does it start?** –October 3, 2022



If *The Bethel Bible Series* sounds like what you have been looking for, sign up below, or contact the office. The classes will be filled on a first come - first served basis with any additional names being put on a waiting list.

Sign up
↓
Here
↓

Please Note: Successful completion of the Old Testament Class is required to sign up for the New Testament Class.

Name _____ Phone Number _____

Email Address _____

Number of Notebooks (if you are a couple) _____

_____ Old Testament Class _____ New Testament Class

Deadline to sign up for September Classes is September 8



This note will take only a few minutes to read but **it might change your whole Christian life.**

For the past several years Friedberg Moravian Church has offered both Old Testament and New Testament Bethel Bible Classes. Over 100 people at Friedberg have participated in these classes in past years and we are ready to begin another round of classes. We will be offering both the **Congregational Phase** classes and what is called the **Intensive Teacher/Discipleship Training Program**. For information on the **Congregational Phase** classes, see the other side of this insert. For information on the **Intensive Teacher/Discipleship Training Program**, read on.

Students in the **Intensive** phase of the Bethel Series program are taken on a journey into the Scriptures through a disciplined two-year training phase.

This is your invitation to participate in the **INTENSIVE TEACHER/DISCIPLESHIP TRAINING PROGRAM.**

What are the requirements of those who volunteer?

- 1. Each trainee will spend **2 ½ hours a week in a study session** with the instructors over a two-year period – 3 seven-week sessions each year.
- 2. Trainees can expect to spend **6-10 hours per week doing homework** which includes learning **about 15 Biblical concepts per week.**
- 3. All members of the **Intensive Class** will **write exams** and **do projects** as the study progresses.
- 4. Each trainee will pay a registration fee of \$60 per year to cover the cost of the textbook and other teaching materials.
- 5. **When the training program is completed, each trainee will be available to serve,** not only through teaching other adults in our congregation using the Bethel Series as the format for their studies, but also through a demonstration of discipleship through a variety of leadership roles in our congregation.

As you can see, the requirements are demanding. It will take courage, dedication and perseverance, but **IT WILL BE WELL WORTH ALL THE EFFORT!** If you volunteer and are accepted for this teacher/discipleship training program, you will know more about the Bible than you have ever known before. You will have covered all 66 books of the Bible from Genesis to Revelation. You will be trained in teaching methods and laws of communication and will be well equipped to teach the Bible to other members of our congregation.

Pray about it. This is a challenge which can prepare you for the important work of teaching the Scriptures and serving in many other areas in our church. Contact Pastor Dan **no later than September 8** for more information about the program. Please volunteer with the intent of being ready and willing to give your whole heart, mind and energy to this effort.



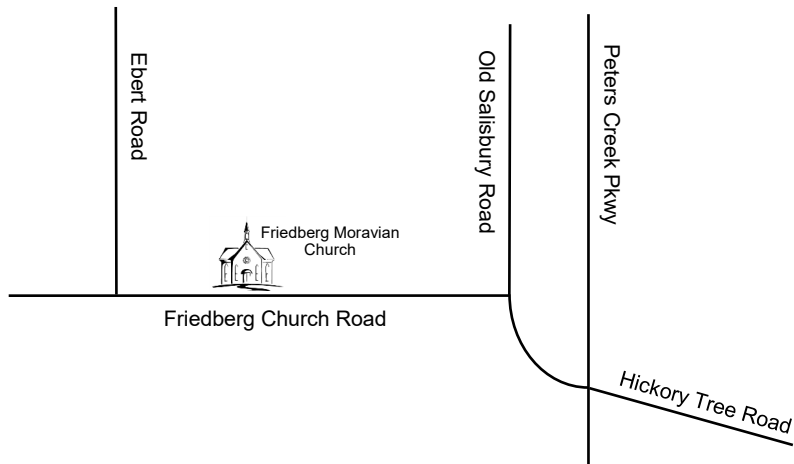
***Come and Celebrate
Homecoming / Back
to Church Sunday
With Us!***

September 15, 2024

Friedberg Moravian Church

2178 Friedberg Church Road
Winston-Salem, NC 27127
336.764.1830

Sunday School - 9:45 AM
Worship Service - 11:00 AM
Celebration Lunch - 12:15 PM



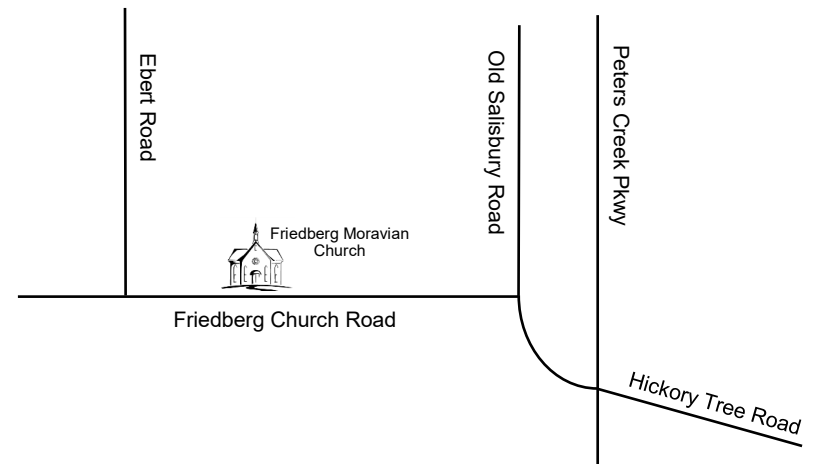
***Come and Celebrate
Homecoming / Back
to Church Sunday
With Us!***

September 15, 2024

Friedberg Moravian Church

2178 Friedberg Church Road
Winston-Salem, NC 27127
336.764.1830

Sunday School - 9:45 AM
Worship Service - 11:00 AM
Celebration Lunch - 12:15 PM



You Are Invited!

Sunday, September 15th will be a very special day here at Friedberg. We're celebrating Homecoming / Back to Church Sunday and we would love to have you join us!

Sunday School - 9:45 AM

We have a Sunday School ministry for all ages, from nursery through adult. There are age-appropriate classes for children and youth all the way up through high school and college. And adults have seven different classes from which to choose.

Worship - 11:00 AM

Our services are traditional in style, but far from stuffy. You'll experience a warm welcome from friendly people who love the Lord and want to worship Him! There will be joyful singing by our adult choir and biblical teaching from our pastors that is real and relevant to your life today.

Friedberg is very child friendly. There are infant and toddler nurseries for the little ones. Children ages 4 - 2nd begin worship in the sanctuary with their parents where we often have a children's sermon early on in the service. Afterwards, they have the option to stay in the sanctuary or they can attend Children's Church - a fun and active worship experience just for them.

New Worship Service for 3rd-5th graders!

We are excited to announce that on September 15th we are launching a new worship service for children in 3rd - 5th grade! This will be an age appropriate energetic time of worship we think our younger youth will love.

Lunch - 12:15 PM

Following worship everyone is invited to stay for a covered dish lunch in our Family Life Center. The members of Friedberg are being asked to prepare enough food for themselves and our guests. The food will be great and so will the fellowship. Lunch will be a great time to meet our pastors and other staff members and to mingle with the members of Friedberg ... you just might meet a few new friends.

**Sept. 15th is going to be a great day at Friedberg!
We hope to see you here!**

You Are Invited!

Sunday, September 15th will be a very special day here at Friedberg. We're celebrating Homecoming / Back to Church Sunday and we would love to have you join us!

Sunday School - 9:45 AM

We have a Sunday School ministry for all ages, from nursery through adult. There are age-appropriate classes for children and youth all the way up through high school and college. And adults have seven different classes from which to choose.

Worship - 11:00 AM

Our services are traditional in style, but far from stuffy. You'll experience a warm welcome from friendly people who love the Lord and want to worship Him! There will be joyful singing by our adult choir and biblical teaching from our pastors that is real and relevant to your life today.

Friedberg is very child friendly. There are infant and toddler nurseries for the little ones. Children ages 4 - 2nd begin worship in the sanctuary with their parents where we often have a children's sermon early on in the service. Afterwards, they have the option to stay in the sanctuary or they can attend Children's Church - a fun and active worship experience just for them.

New Worship Service for 3rd-5th graders!

We are excited to announce that on September 15th we are launching a new worship service for children in 3rd - 5th grade! This will be an age appropriate energetic time of worship we think our younger youth will love.

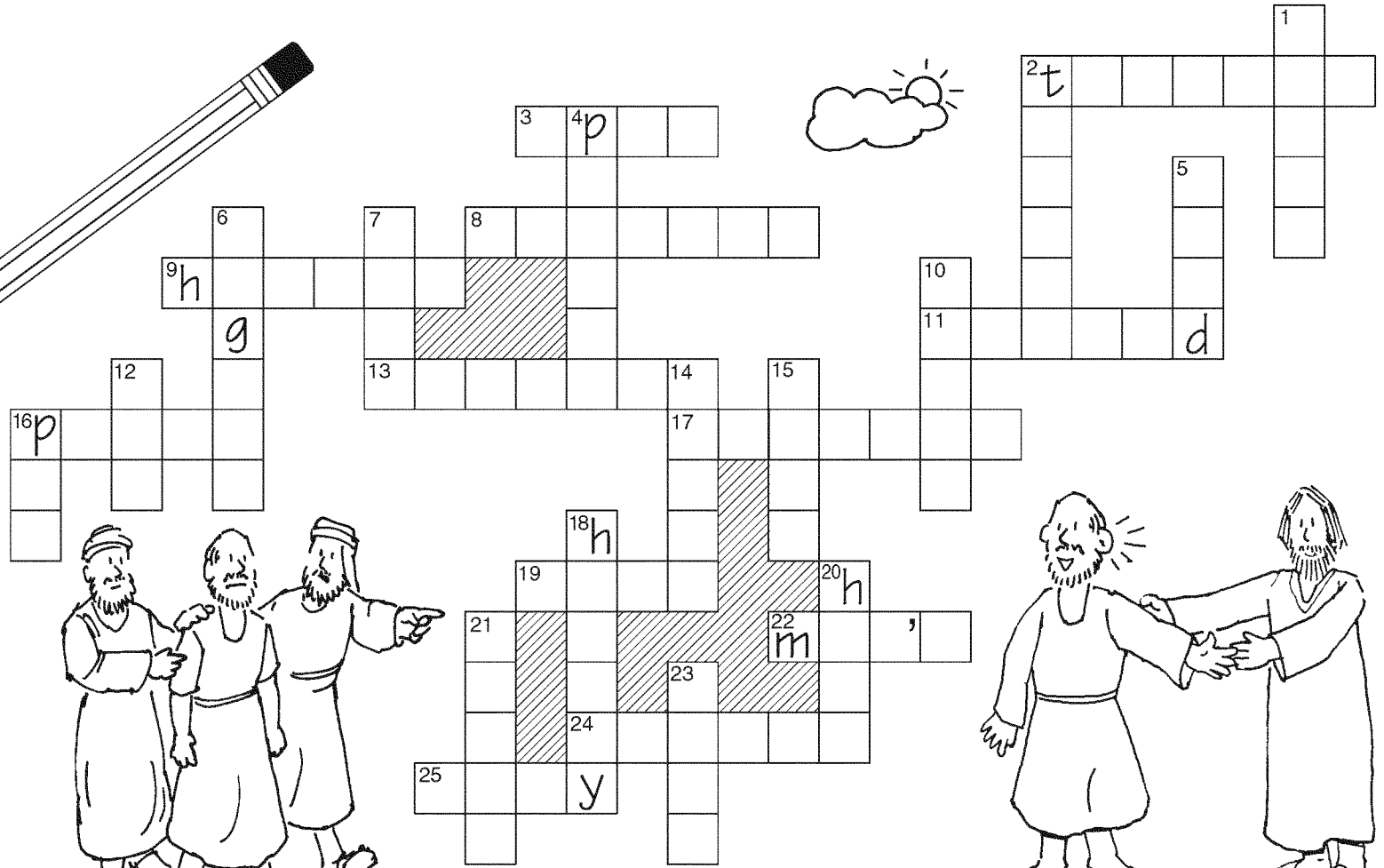
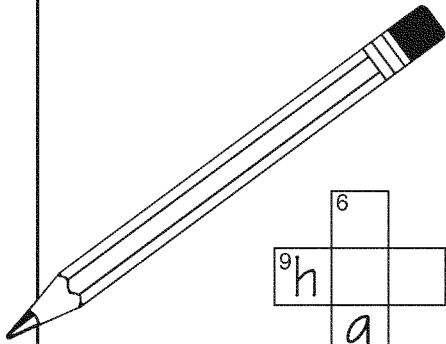
Lunch - 12:15 PM

Following worship everyone is invited to stay for a covered dish lunch in our Family Life Center. The members of Friedberg are being asked to prepare enough food for themselves and our guests. The food will be great and so will the fellowship. Lunch will be a great time to meet our pastors and other staff members and to mingle with the members of Friedberg ... you just might meet a few new friends.

**Sept. 15th is going to be a great day at Friedberg!
We hope to see you here!**

Fit the words in the puzzle. Transfer the letters to the story.

man crowd
 put speak
 deaf people
 talk hardly
 hand begged
 took tongue
 away looked
 man's heaven
 ears opened
 spit brought
 said fingers
 Jesus plainly
 could touched
 place



Some 4) _____ 8) _____ a 12) _____ to 1) _____ who was 7) _____ and 10) _____
 18) _____ 19) _____. They 6) _____ Him to 16A) _____ His 20) _____ on the 12) _____.
 He 23) _____ the 12) _____ 25) _____ from the 21) _____ and 16D) _____ His 13) _____ into the
 22) _____ ' 15) _____. Then He 3) _____ and 2A) _____ the 22) _____ ' 2D) _____.
 He 24) _____ to 9) _____ and 5) _____, "Be 11) _____!" The 22) _____ ' 15) _____ were
 11) _____ and he 10) _____ 14) _____ 17) _____.